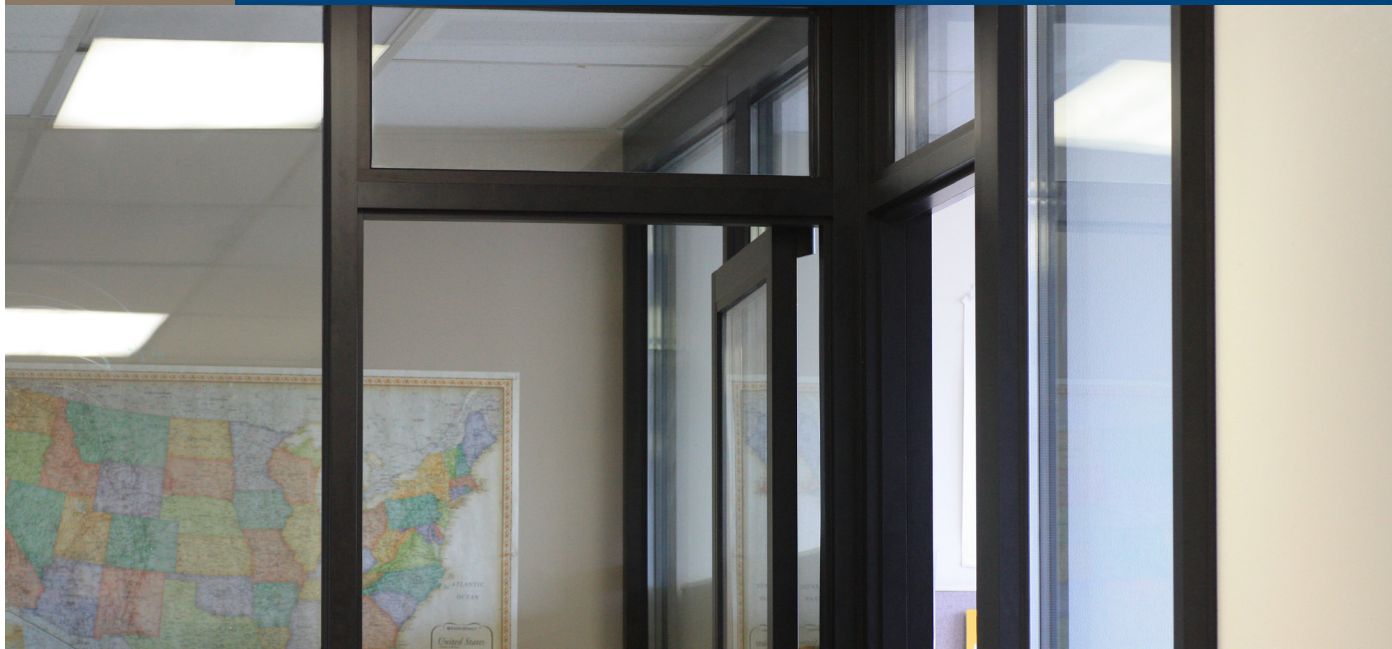


ALUMINUM  
STOREFRONT

## 900 Series 1-3/4" x 4-1/2" Center-Glazed Storefront



The D8 Aluminum 900 Series Storefront is a screw spline center-glazed storefront designed primarily for interior applications. The sleek 1-3/4" sightline delivers a clean contemporary look. The non-thermal construction can be appropriate for external use in warmer climate zones. It comes in a wide variety of custom painted and anodized finishes.

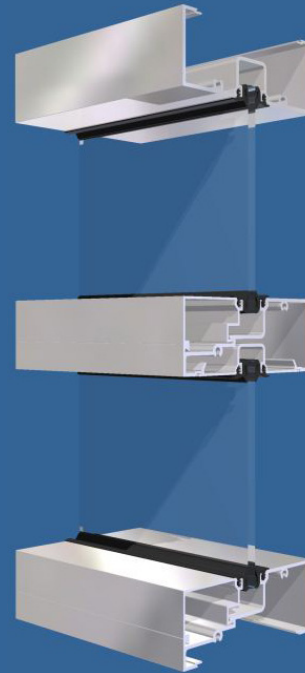
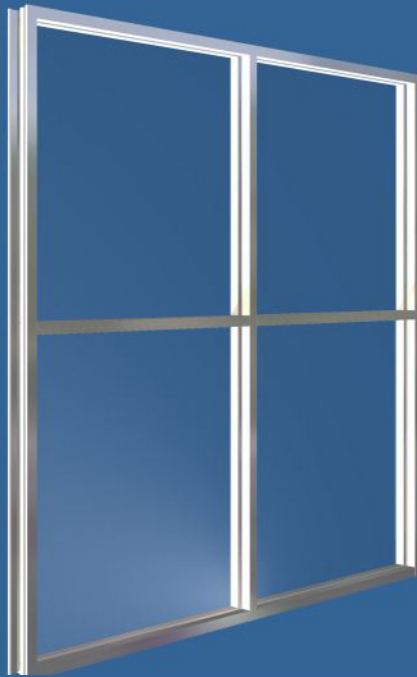
The 900 Series Center-Glazed Storefront comes with an industry standard factory warranty.

FEATURES	RESULTS
Aluminum system	Sleek profile, long-lasting strength and durability
Up to 1/4" glazing options	Adaptable glazing options to accommodate design specifications
1-3/4" profile width	Sleek appearance maximizes glass area
4-1/2" depth	Delivers structural integrity to accommodate design requirements
Interior applications	Sleek, contemporary partition system
Vertical stack mullion	Ribbon together at installation
Custom painted and anodized finishes	Wide variety of finishes to accommodate design specifications and customer needs

ALUMINUM  
STOREFRONT

# 900 Series

## 1-3/4" x 4-1/2" Center-Glazed Storefront



### PERFORMANCE DATA

Air @ 6.24 PSF | Per ASTM E-283 <0.06 cfm/SF

Water | Per ASTM E-331 8 psf

### COMP CHANNEL OPTION #1

